

# BAT2400-02

## PHANTOMS BATTERY CASE



New HPRC2400 with customized foam can hold until 6 spare batteries for DJI Phantom 4 or DJI Inspire 1/2. The pre cutted foam could have the following internal layout:

- 6 batteries Inspire 1/2
- Charger for Inspire 100W or Charger for Inspire 180W



- 6 batteries for Phantom 4
- Charger for Phantom 4



- 3 batteries for Phantom 4
- + 3 batteries for Inspire 1/2
- Charger for Phantom or Charger for Inspire 100W or Charger for Inspire 180W



- 1 - Battery
- 2 - Charger + Cables

### TECHNICAL FEATURES

#### Dimension:

internal dimension 380x266x152(mm) - 14.96x10.47x5.98(in)  
external dimension 405x330x170(mm) - 15.94x12.99x6.69(in)

lid: 45(mm) - 1.77(in) bottom: 107(mm) - 4.21(in)

#### Weight:

2,38kg - 5.25lbs

#### Temperature rating:

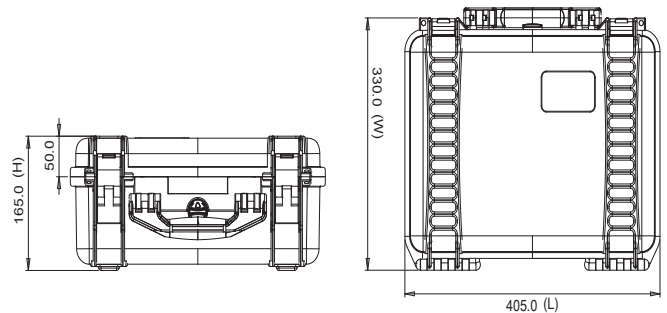
Minimum -40°C -40°F Maximum +80°C +176°F

#### Colors:

Black



### TECHNICAL DRAWING



#### Plaber s.r.l. - HPRC cases

Via Div Trentina, 10  
I-36061 Bassano del Grappa  
Vicenza - Italy

Tel +39 0424 809150  
Fax +39 0424 808548

#### USA office and warehouse:

Plaber America Inc - HPRC cases  
240 Anderson Avenue  
07074 Moonachie - New Jersey

Tel +1 201 617 2010  
Fax +1 201 617 2001

[www.hprc.it](http://www.hprc.it)  
E: [info@hprc.it](mailto:info@hprc.it)

**HPRC**

**TTX01**