

HPRC ROS2500-01



FOR DJI RONIN-S



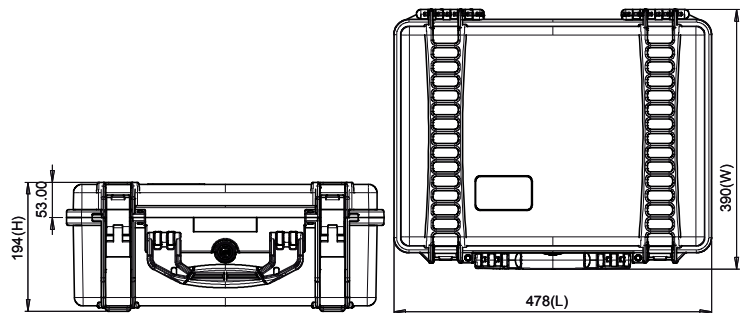
- 1** Gimbal with Focus Wheel
- 2** Extended Grip/Tripod
- 3** Camera Mounting Plate
- 4** 24W Usb Power Adapter
- 5** BG37 Grip x 2
- 6** Accessories Box

TECHNICAL FEATURES

Dimension:
internal dimension 450x323x175(mm) - 17.72x12.72x6.89(in)
external dimension 478x390x194(mm) - 18.82x15.35x7.64(in)

Weight:
3,71kg - 8.18lbs

Temperature rating:
Minimum -40°C -40°F
Maximum +80°C +176°F



Plaber s.r.l. - HPRC cases

Via Div Trentina, 10
I-36061 Bassano del Grappa
Vicenza - Italy

Tel +39 0424 809150
Fax +39 0424 808548

USA office and warehouse:

Plaber America Inc - HPRC cases
240 Anderson Avenue
07074 Moonachie - New Jersey

Tel +1 201 617 2010
Fax +1 201 617 2001

www.hprc.it
E: info@hprc.it

HPRC

