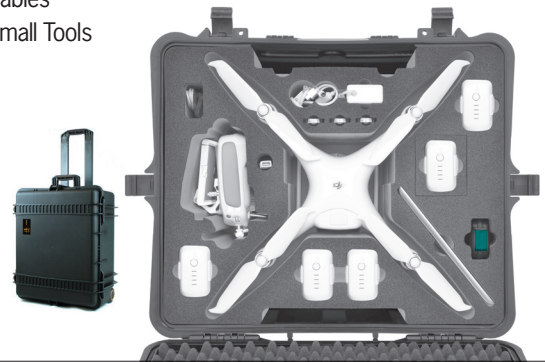


HPRC2700W for DJI Phantom 4 PHA4-2700W-02



- 1 | Phantom 4 / Pro / 4 Pro + with Props On / 4 V2.0
- 2 | Cables / Miscellaneous
- 3 | 3 x Filters
- 4 | Charger + Cables
- 5 | 2 x Kits of Spare Props
- 6 | Spare Battery
- 7 | Spare Battery / Miscellaneous Accessories
- 8 | Complimentary HPRC1100 for 8 MicroSD Cards
- 9 | Ipad Air / Tablet up to 10"
- 10 | Controller Monitor Hood for Tablets / Instructions
- 11 | Remote Controller
- 12 | Cables
- 13 | Small Tools



suitable for v 2.0 low noise propellers

TECHNICAL FEATURES

Dimension:

Internal dimension
554,7x458,7x246(mm) - 21.84x18.06x9.69(in)
External dimension
617,5x527,3x279,6(mm) - 24.31x20.76x11.0(in)

Weight:

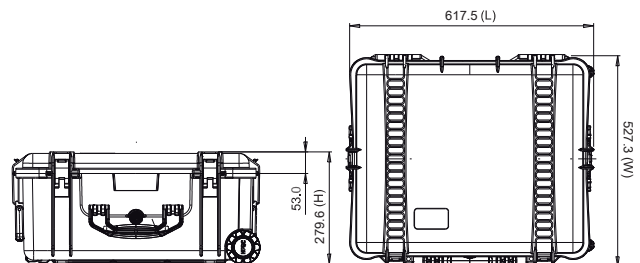
empty: 7,70kg - 16.98lbs
with cubed foam: 8,72kg - 19.21lbs

Temperature rating:

Minimum Maximum
-40°C -40°F +80°C +176°F



TECHNICAL DRAWING



www.hprc.it
info@hprc.it

USA office and warehouse:
HPRC USA
110 Chestnut Ridge Rd. #314
Montvale, NJ 07645
Phone +1(201) 989-3353



APPROVALS
ATA 300
IP67
STANAG 4280
DS 81-41

TEST
DROP
IMPACT
HANDLE
WATERTIGHT INTEGRITY
UV COLOR AND MATERIAL
PROTECTION

Plaber s.r.l. - HPRC cases
Via Div Tridentina, 10
I-36061 Bassano del Grappa
Vicenza - Italy
Tel +39 0424 809150

